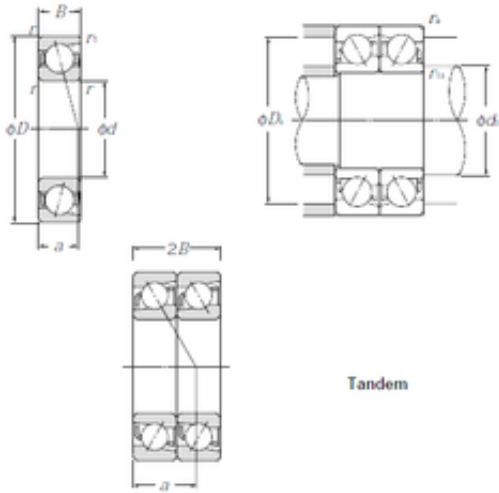




# BEARING USA CORP.

## 200 mm x 360 mm x 58 mm NTN 7240BDT Angular contact ball bearings

Bearing No. 7240BDT



7240BDT Bearing 2D drawings and 3D CAD models

Size	200x360x58 mm
Bore Diameter	200 mm
Outer Diameter	360 mm
Width	58 mm
d	200 mm
D	360 mm
B	58 mm
ra1 max.	1,5 mm
Angle ( ° )	40 °
a	146 mm
r min.	4 mm
r1 min.	1,5 mm
2B	116 mm
da min.	218 mm
Da max.	342 mm
ra max.	3 mm
Db max	351,5 mm
Weight	50,6 Kg
Basic dynamic load rating (C)	495 kN
Basic static load rating (C0)	815 kN
(Grease) Lubrication Speed	1 300 r/min