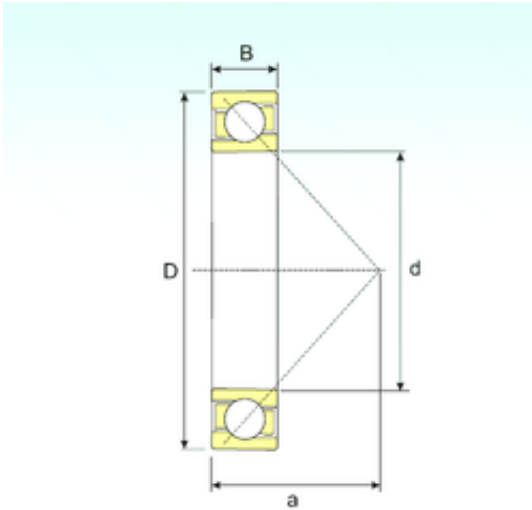




BEARING USA CORP.



718/560 A Bearing 2D drawings and 3D CAD models

560 mm x 680 mm x 56 mm ISB 718/560 A
Angular contact ball bearings

Bearing No. 718/560 A

Size	560x680x56 mm
Bore Diameter	560 mm
Outer Diameter	680 mm
Width	56 mm
d	560 mm
D	680 mm
B	56 mm
C	56 mm
a	41,5 mm
Weight	208 Kg
Basic dynamic load rating (C)	397 kN
Basic static load rating (C0)	655 kN
(Grease) Lubrication Speed	680 r/min