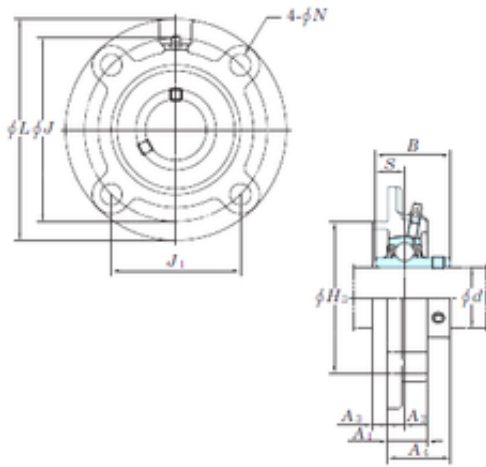




BEARING USA CORP.

KOYO UCFC203 Bearing units



Bearing No. UCFC203

Bore Diameter	17 mm
d	17 mm
H3	62 mm
A4	28,3 mm
A1	20,5 mm
B	31 mm
J	78 mm
L	100 mm
N	12 mm
S	12,7 mm
Bolt (G)	M10
A2	10 mm
A3	5 mm
J1	55,1 mm
Weight	0,75 Kg
Basic dynamic load rating (C)	12,8 kN
Basic static load rating (C0)	6,65 kN
Bearing No.	UCFC203
Bolt size	M10
Cr	12.8
C0r	6.65
f0	13.2
(Refer.)Unit mass(kg)	0.75
Nipple size	1/4-28UNF

UCFC203 Bearing 2D drawings and 3D CAD models