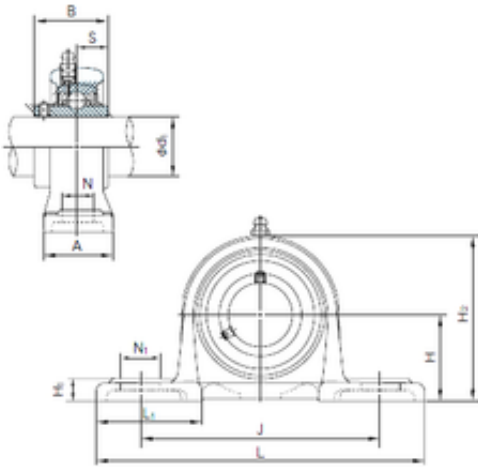




# BEARING USA CORP.

## NACHI MUCP206 Bearing units

Bearing No. MUCP206



MUCP206 Bearing 2D drawings and 3D CAD models

Bore Diameter	30 mm
Width	38.1 mm
d	30 mm
A	36 mm
B	38.1 mm
H	42.9 mm
H1	11 mm
H2	82 mm
J	121 mm
L	165 mm
L1	53 mm
N	17 mm
N1	21 mm
S	15.9 mm
Bolt (G)	M14