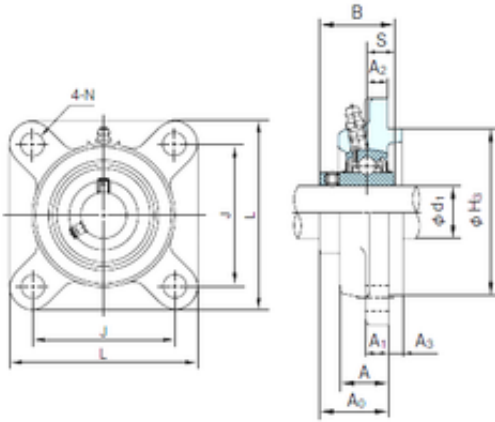




BEARING USA CORP.

NACHI UCFS321 Bearing units

Bearing No. UCFS321



UCFS321 Bearing 2D drawings and 3D CAD models

Bore Diameter	105 mm
d1	105 mm
H3	260 mm
A0	107 mm
A	74 mm
A1	32 mm
B	112 mm
J	242 mm
L	310 mm
N	38 mm
S	44 mm
Bolt (G)	M33
A2	39 mm
A3	20 mm