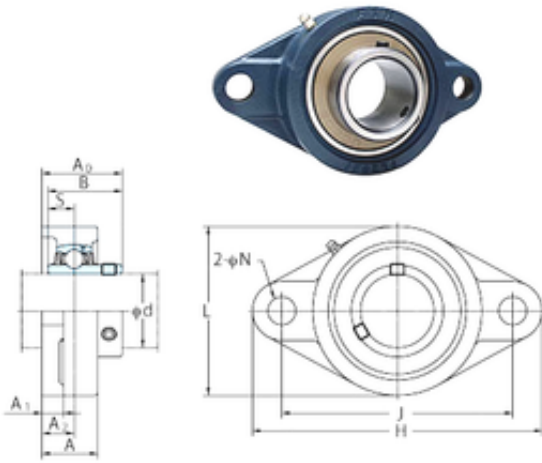




# BEARING USA CORP.

## FYH UCFL215 Bearing units

Bearing No. UCFL215



UCFL215 Bearing 2D drawings and 3D CAD models

Bore Diameter	75 mm
d	75 mm
A0	78,5 mm
A	56 mm
A1	20 mm
B	77,8 mm
H	275 mm
J	225 mm
L	165 mm
N	23 mm
S	33,3 mm
Bolt (G)	14,5
Bolt (G)	M20
A2	34 mm
Weight	6,4 Kg
Basic static load rating (C0)	67,4 kN
Category	Mounted Units & Inserts
Inventory	0.0
Manufacturer Name	FYH BEARING UNITS
Minimum Buy Quantity	N/A
Weight / Kilogram	0
Product Group	M06110