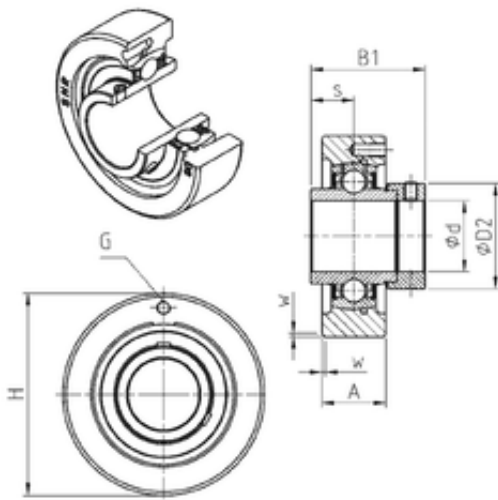




BEARING USA CORP.

SNR EXC317 Bearing units

Bearing No. EXC317



EXC317 Bearing 2D drawings and 3D CAD models

Bore Diameter	85 mm
d	85 mm
s	42 mm
A	64 mm
B1	109,5 mm
D2	127 mm
H	215 mm
W	4 mm
Thread (G)	M10x1
Weight	12,5 Kg
Basic dynamic load rating (C)	132,6 kN
B	84.1 mm
A3	4 mm
A5	42.1 mm
d1	127 mm
G	M10x1
s1	73.85 mm
S	42 mm
SW	8 mm
C	132.6 kN
C0	96.5 kN
T min.	-20 ° C
T max.	100 ° C
Recommended tightening torque for set screw	64 Nm
Designation of housing	C317-



BEARING USA CORP.

Designation of bearing

EX317G2