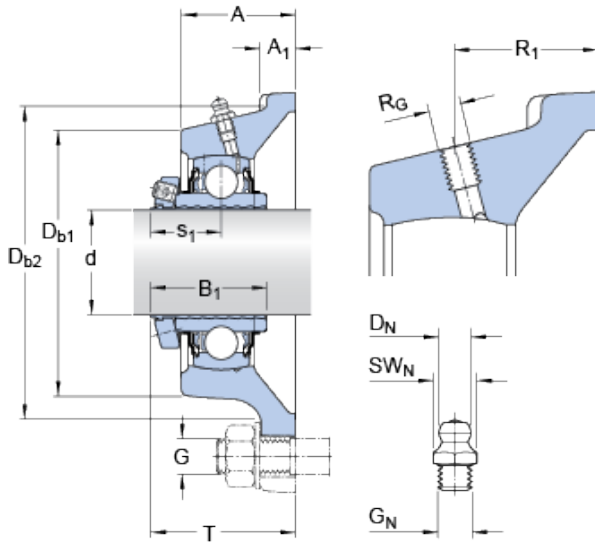




# BEARING USA CORP.



## SKF FY 2.3/16 LF/AH Bearing units

Bearing No. FY 2.3/16 LF/AH

Size	55.562x47.5x16 mm
Bore Diameter	55,562 mm
Outer Diameter	47,5 mm
Width	16 mm
d	55.562 mm
A	47.5 mm
A <sub>1</sub>	16 mm
B <sub>1</sub>	49 mm
D <sub>b1</sub>	122 mm
D <sub>b2</sub>	134 mm
J	130 mm
L	162 mm
H	19 mm
s <sub>1</sub>	29 mm
T	60 mm
J <sub>6</sub>	148 mm
J <sub>7</sub>	45 mm
N <sub>4</sub>	4 mm
D <sub>N</sub>	6.579 mm
SW <sub>N</sub>	11.112 mm
G <sub>N</sub> - 1/8-27 NPT	1/827 NPT
R <sub>G</sub> - 1/8-27 NPT	1/827 NPT
R <sub>1</sub>	31 mm
Basic dynamic load rating - C	43.6 kN

FY 2.3/16 LF/AH Bearing 2D drawings and 3D CAD models



## BEARING USA CORP.

Basic static load rating - $C_0$	29 kN
Fatigue load limit - $P_u$	1.2 kN
Limiting speed	3600 r/min
Mass bearing unit	3.2 kg
Thread - $G_2$	M6
Hexagonal key size for grub screw - H	3 mm