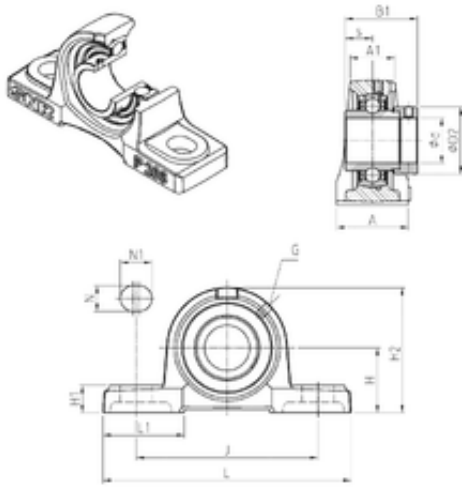




# BEARING USA CORP.



## SNR EXP210 Bearing units

Bearing No. EXP210

Bore Diameter	50 mm
d	50 mm
s	24,6 mm
A	60 mm
A1	39 mm
B1	62,7 mm
D2	69,9 mm
H	57,2 mm
H1	22 mm
H2	114 mm
J	159 mm
L	206 mm
L1	65 mm
N	20 mm
N1	25 mm
Thread (G)	M6x1
Weight	3,2 Kg
Basic dynamic load rating (C)	35,1 kN

EXP210 Bearing 2D drawings and 3D CAD models