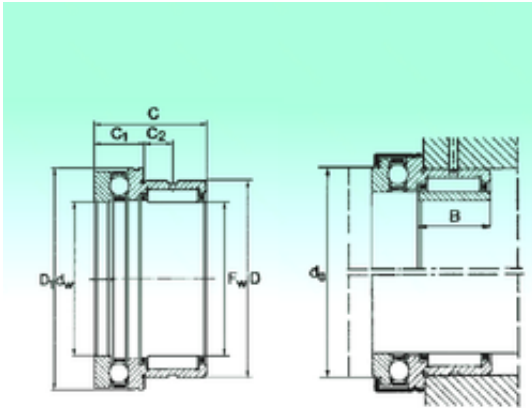




# BEARING USA CORP.



NKX 35 Bearing 2D drawings and 3D CAD models

## NBS NKX 35 Complex bearings

Bearing No. NKX 35

Size	35x47x30 mm
Bore Diameter	35 mm
Outer Diameter	47 mm
Width	30 mm
d	35 mm
Fw	35 mm
D	47 mm
C	30 mm
C1	12 mm
D1	52,1 mm
D2	53,2 mm
C2	9 mm
da	47,7 mm
Weight	0,163 Kg
Dynamic load rating radial (C)	23 kN
Dynamic load rating axial (C)	20,5 kN
Static load rating radial (C0)	40 kN
Static load rating axial (C0)	44,65 kN