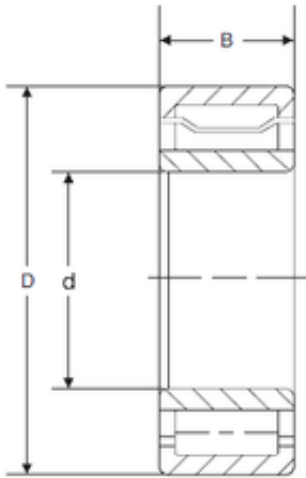




BEARING USA CORP.



105 mm x 225 mm x 87,3125 mm SIGMA A
5321 WB Cylindrical roller bearings

Bearing No. A 5321 WB

Size	105x225x87.3125 mm
Bore Diameter	105 mm
Outer Diameter	225 mm
Width	87,3125 mm
d	105 mm
D	225 mm
B	87,3125 mm
C	87,3125 mm

A 5321 WB Bearing 2D drawings and 3D CAD models