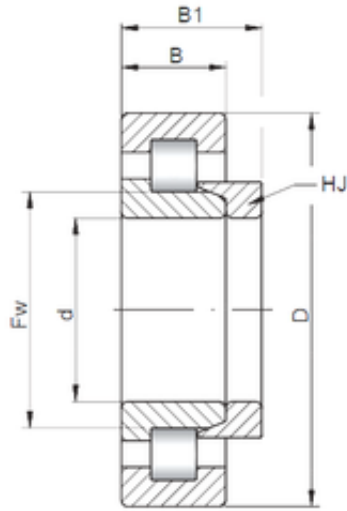




# BEARING USA CORP.



## 75 mm x 130 mm x 25 mm ISO NH215 Cylindrical roller bearings

Bearing No. NH215

Size	75x130x25 mm
Bore Diameter	75 mm
Outer Diameter	130 mm
Width	25 mm
d	75 mm
D	130 mm
B	25 mm
C	25 mm
B1	7 mm
B2	11 mm

NH215 Bearing 2D drawings and 3D CAD models