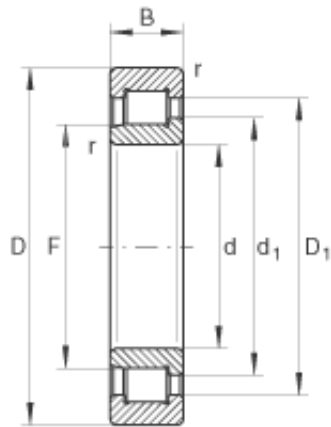




# BEARING USA CORP.

## 240 mm x 500 mm x 155 mm INA SL192348-TB Cylindrical roller bearings



Bearing No. SL192348-TB

Size	240x500x155 mm
Bore Diameter	240 mm
Outer Diameter	500 mm
Width	155 mm
d	240 mm
D	500 mm
B	155 mm
D <sub>1</sub>	408,5 mm
d <sub>1</sub>	312,5 mm
F	280,55 mm
r <sub>min</sub>	5 mm
s	10 mm / Axial displacement
m	142,3 kg / Weight
C <sub>r</sub>	2900000 N / Dynamic load rating (radial)
C <sub>0r</sub>	3800000 N / Static load rating (radial)
C <sub>ur</sub>	385000 N / Fatigue limit load, radial
n <sub>G</sub>	860 1/min / Limiting speed

SL192348-TB Bearing 2D drawings and 3D CAD models