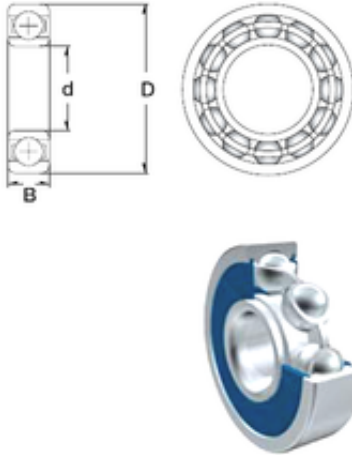




## BEARING USA CORP.



### 85 mm x 110 mm x 13 mm ZEN 61817-2RS Deep groove ball bearings

Bearing No. 61817-2RS

Size	85x110x13 mm
Bore Diameter	85 mm
Outer Diameter	110 mm
Width	13 mm
d	85 mm
D	110 mm
B	13 mm
C	13 mm
Basic dynamic load rating (C)	18,7 kN
Basic static load rating (C0)	19 kN
(Grease) Lubrication Speed	5600 r/min

61817-2RS Bearing 2D drawings and 3D CAD models